

# I-View K19616

## 1U 19" Rack Mount 19" LCD, keyboard / Touchpad, PS/2 or USB channel 16 Ports KVM



### Features

- Integrated KVM 8-port Console with 19" LCD monitor, keyboard and touchpad in a 1U height rack mountable drawer
- Provides 2-level password security (Administrator and User)
- Cascades 31 additional switches, allowing control of ≤512 computers from a single console
- Connect to a server or KVM switch via a standard VGA connector
- Quick release tabs to insert or remove the device with ease
- Supports both USB and PS/2 connections for the computers
- Extra HDB15 port allows one additional VGA monitor to be connected
- Integrated touchpad
- Convenient computer switching via keyboard hotkey and OSD (On-Screen-Display)
- Auto scan feature, broadcast mode, hot pluggable, quick select computer

### Introduction

The I-View K19616 is an LCD KVM switch console that features an integrated 19" LCD screen, keyboard and touchpad in a single console that occupies only 1U of rack space. It allows access and control of up to 8 computers from a single console, and as many as 512 servers can be controlled by cascading another 31 switch consoles. An extra console port is provided (on rear panel) to manage the LCD KVM switch from an external console. I-View K19616 has a built-in LCD monitor that supports resolution up to 1280x1024@60Hz.

Specification		
<b>Model</b>		<b>K19616</b>
<b>Connections</b>	Direct	16 DB15 Female (blue)
	Max	512
<b>Port Emulation</b>		PS/2, USB
<b>Compatibility</b>	Multi-platform	Windows, Sun, Unix, Linux
<b>LCD Monitor</b>	LCD Mode	SXGA TFT
	View Area	19"
	Resolution	1280x1024@60Hz
	Display color	16.7 M
	Brightness	250cd/m <sup>2</sup> (Typ)
	Contrast Ratio	1000: 1 (Typ)
	Pixel pitch (mm)	0.294(H) x 0.294(W)
<b>Input Power</b>		100V-240V (AC), 50-60Hz, <1.5 A
<b>Optional Power Input</b>		-36V – 72V DC
<b>Power Consumption</b>		23W
<b>Emulation</b>	Keyboard	99 keys (82 keys main keyboard + 17 keys independent small number pad) <i>Multi-language support</i> —English, Russian, German, French, Korean, Swedish and Italian, etc
	Mouse	X/Y resolution (>1000 points/inch) Supports trackball function
<b>Environment Requirement</b>	Operating Temp	0 - 50 °C
	Storage Temp	-20 – 60 °C
	Humidity	0-80% RH (non-condensing)
<b>Mechanical</b>	Material	SECC
<b>Features</b>	Weight	13.7kg
	Dimension	448mm x 605mm x 42.5mm

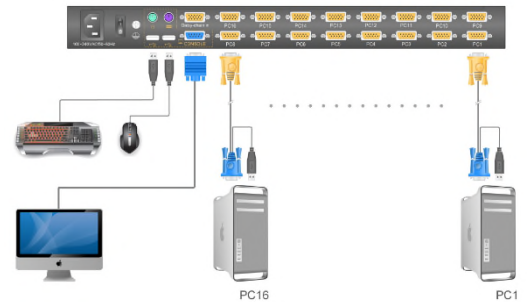
Packaging Content	
•	1x I-View K19616 LCD Console
•	1x Power Cord (Regional)
•	2x Mounting Rails
•	16x USB+VGA KVM Cable (1.8m/6ft)
•	1x Quick Start Guide

Ordering Information	
I-View K19616	1U 19" Rack Mount 19" LCD, keyboard /TouchPad, PS/2 or USB channel 16 Ports KVM
<b>Packaging Dimension</b>	765mm x 615mm x 185mm
<b>Optional</b>	
CBL-1801M	1.8 Meter KVM Cable Combo (PS/2 & USB) <b>(Default)</b>
CBL-1802U	1.8 Meter KVM Cable Combo (USB)
CBL-3001M	3 Meter KVM Cable Combo (PS/2 & USB)
CBL-3001U	3 Meter KVM Cable Combo (PS/2)
CBL-5000M	5 Meter KVM Cable Combo (PS/2 & USB)
CBL-5001U	5 Meter KVM Cable Combo (PS/2)

### Rear View



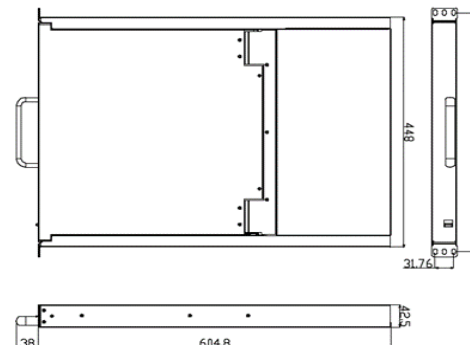
### Connection Diagram



### Cables



### Dimension



SINETIC Technologies Inc. reserves the right to change or update without notice, any information contained herein; to change without notice, the design construction, materials, processing or specifications of any products and to discontinue or limit production or distribution of any products. © 2020 SINETIC Technologies Inc. All rights reserved. DMIVIEWK19616 Rev 1.0 Dated 202004.